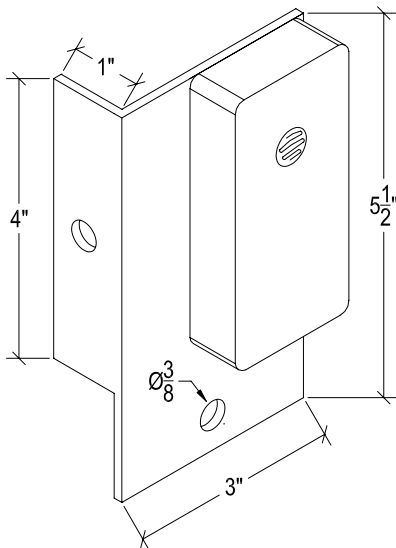


PEC-03

PHOTOCELL



FEATURES

- For use with Technostrobe red light and strobe controllers
- Low voltage: 5 Vdc
- No contact
- Provided in a sealed box with cable (30 feet) and bracket
- Provided with connectors
- Ready to install

SPECIFICATIONS

Electrical value

Working voltage	5V from Technostrobe controller.
-----------------	----------------------------------

Mechanical

Weight	1,4 Kg (3 lbs.)
Dimensions (W x H x D)	77 mm x 140 mm x 25 mm (3" x 5½" x 1")
Enclosure material	Aluminium
Bracket material	Aluminium
Cable connectors type	Weatherproof

Others

Operating temperature	-55°C to 55°C (-67°F to 131°F)
Warranty	2 years